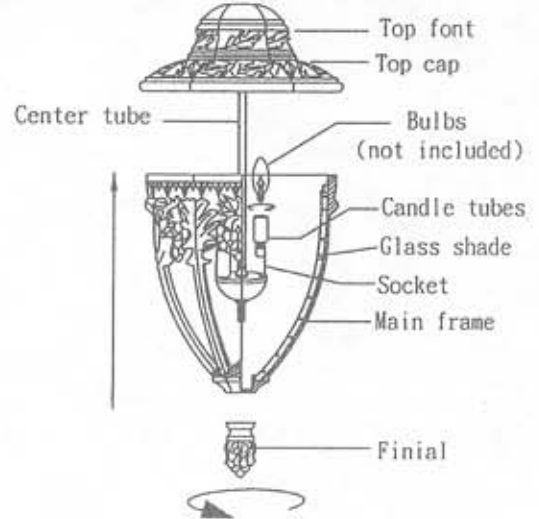
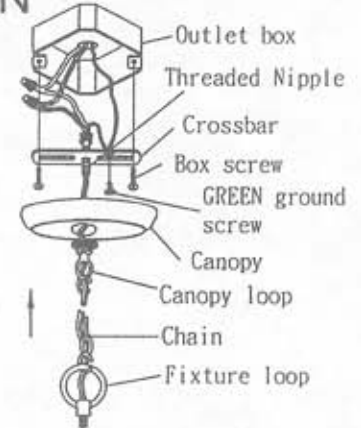


Assembly & Installation Instructions

- CAUTION:**
1. TURN OFF THE ELECTRICITY AT THE FUSE BOX OR CIRCUIT BREAKER BEFORE INSTALLATION.
 2. RISK OF FIRE: DO NOT LAMP FIXTURE GREATER THAN THE MAXIMUM WATTAGE SHOWN ON THE WATTAGE LABELS ON THE FIXTURE.
 3. IF YOU ARE UNFAMILIAR WITH ELECTRIC WIRING, CONSULT A QUALIFIED ELECTRICIAN TO INSTALL THIS FIXTURE FOR YOU.

FOR HANGING LANTERN

- 1.-Disconnect power at main electrical panel before installation.
- 2.-Thread fixture wire and ground wire through fixture loop · Chain · canopy loop, canopy · cross bar · at this point · determine correct number of links needed for proper hanging height. Using pliers, disconnect and discard remaining chain.
- 3.-Attach crossbar to outlet box using box screws provided with outlet box.
- 4.-Following wiring instruction carefully(listed below).
- 5.-Mount fixture by aligning mounting holes in canopy with threaded nipple and threading canopy loop onto nipple tighten to firmly hold canopy in place against ceiling (nipple may require adjustment).
- 6.-Open bottom font · bottom cap,main frame and glass shade, install candle tubes onto sockets.and install light bulbs (not included). See relamping label at candle tube for type and maximum allowed wattage,then slip glass shade,main frame bottom cap and bottom font up through bottom threaded pipe and secure all together by fastening with finial or secured glass shade with threaded nut (see attached respective drawing).



Wiring

1. Split the conductors of the fixture wire about 12 feet. Being careful not to expose any of the wire inside of the insulation.
2. Connect the fixture ground wire to the outlet box ground wire using wirenut. Connect outlet box ground wire to mounting plate with GREEN hex-head ground screw to tapped hole in mounting strap marked "GND" as shown.
3. Connect the half of the fixture wire that is white, marked, or has a ribbed surface to the outlet box supply wire (WHITE). Connect the other half of the fixture wire that is black, unmarked, or has a smooth surface to the outlet box supply wire (BLACK or RED). Use wirenuts provided.
4. Spread the electrical splices so that the black wires are on one side of the outlet box and the white wires are on the other side.

