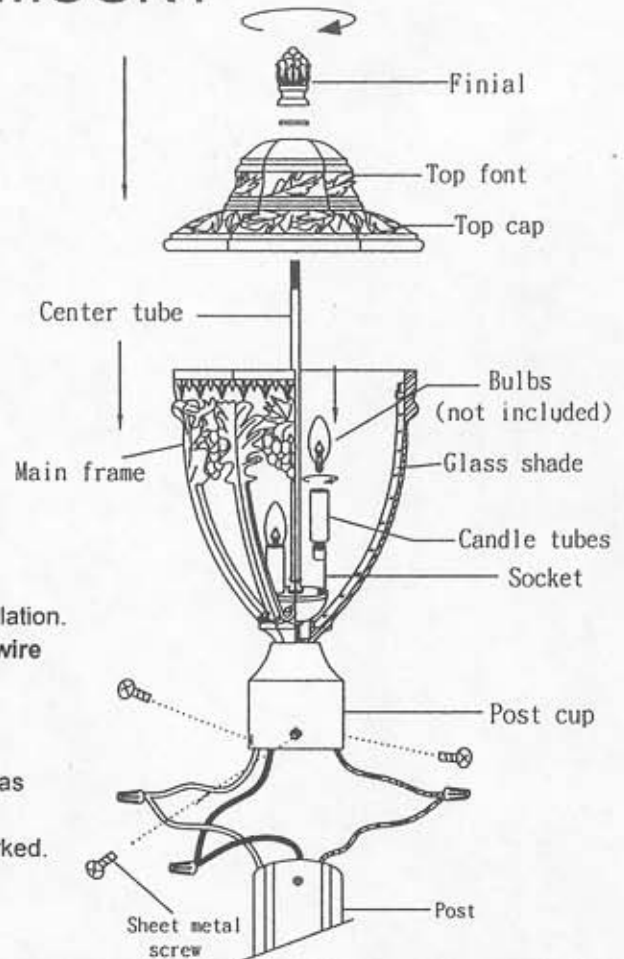


# Assembly & Installation Instructions

- CAUTION:**
1. TURN OFF THE ELECTRICITY AT THE FUSE BOX OR CIRCUIT BREAKER BEFORE INSTALLATION.
  2. RISK OF FIRE: DO NOT LAMP FIXTURE GREATER THAN THE MAXIMUM WATTAGE SHOWN ON THE WATTAGE LABELS ON THE FIXTURE.
  3. IF YOU ARE UNFAMILIAR WITH ELECTRIC WIRING, CONSULT A QUALIFIED ELECTRICIAN TO INSTALL THIS FIXTURE FOR YOU.

## FOR POST MOUNT

- 1.-Disconnect power at main electrical panel before installation.
- 2.-Pull black,white and ground wires out of post cup.
- 3.-Following wiring instruction carefully(listed below)
- 4.-After wires are connected,tuck them carefully inside the post.Align the lantern with post and secure with sheet metal screws.
- 5.-Screw center tube into coupler until secure and install light bulbs (not included).See relamping label at candle tube for type and maximum allowed wattage, then put back top cap - top font in sequence and tighten with finial (See attached respective drawing).



### Wiring

1. Split the conductors of the fixture wire about 6 inches. Being careful not to expose any of the wire inside of the insulation.
2. Connect the fixture ground wire to the outlet box ground wire using wirenut. Connect outlet box ground wire to mounting plate with GREEN hex-head ground screw to tapped hole in mounting strap marked "GND"
3. Connect the half of the fixture wire that is white,marked,or has a ribbed surface to the outlet box supply wire (WHITE) Connect the other half of the fixture wire that is black,unmarked, or has a smooth surface to the outlet box supply wire (BLACK or RED).Use wirenuts provided.

