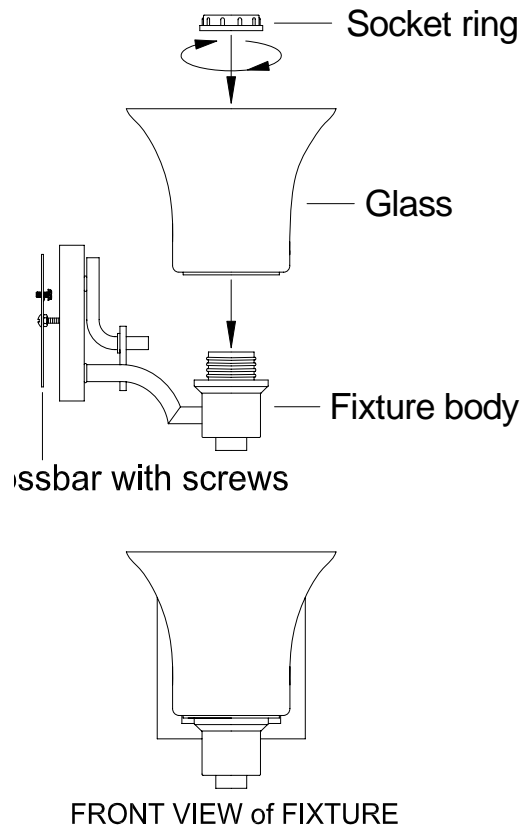




ASSEMBLY INSTRUCTIONS FOR 33180/1



1. Before beginning assembly, carefully unpack and identify all parts referring to the illustration.
2. Turn off power to the installation point OFF. Locate the crossbar and secure it to the outlet box in the wall with (2) outlet box screws.
3. Make wires connections: (We recommend 2 people for this step) Locate and attach the house ground wire to the fixture ground wire. Proceed to attach both to the crossbar with green ground screw. Using wire connectors connect the house white wire to fixture white (or ribbed side) wire; connect the house black (or red) wire to the fixture black (or smooth side) wire.
4. Carefully tuck all wires into the wall mounted outlet box and position the fixture over the outlet box. Align the holes in the backplate with the (2) mounting screws attached to the crossbar. Pass the fixture over the (2) mounting screws and secure by threading the (2) ball nuts onto ends of screws. Hands tighten until snug.
5. Carefully place the glass over the socket and secure with the socket ring. Hand tightens until snug.
6. Install a proper bulb to the socket referring to the markings and labels on fixture for maximum wattage.
7. Restore power to the installation point ON. Retain this sheet for future reference.