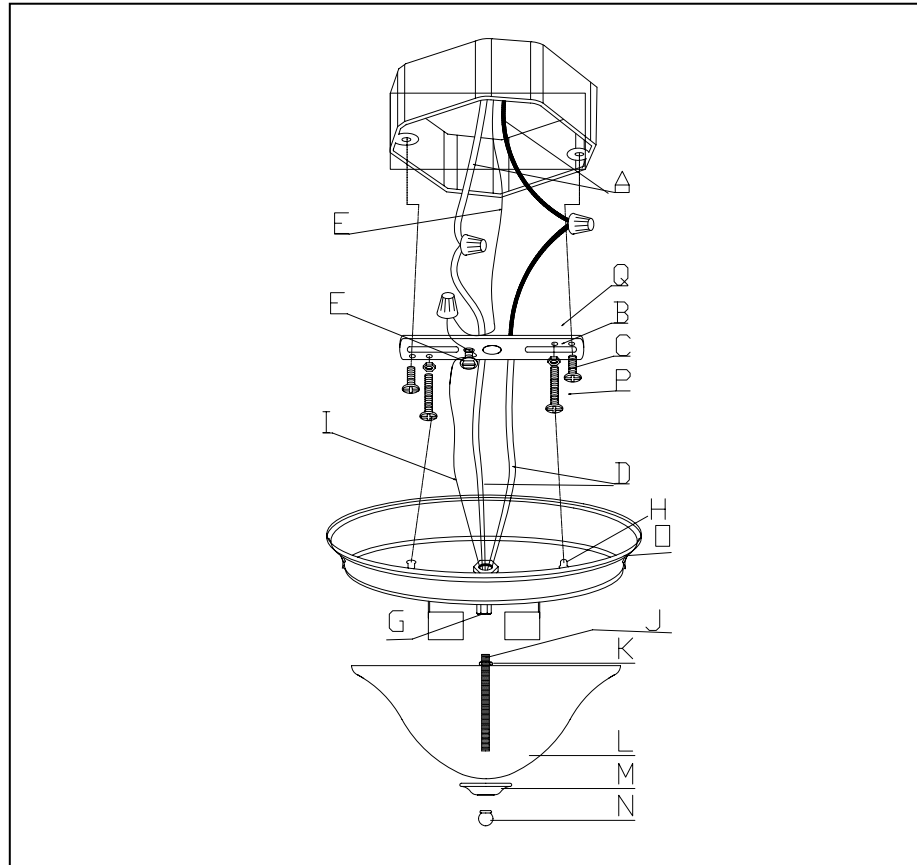


Installation Instructions

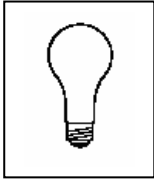


1. Disconnect power at main electrical panel before installation.
2. Attach mounting strap (B) to outlet box using box screws (C) provided with the mounting strap (B).
3. Connect the white wire (s) from the fixture to the white wire of the supply circuit. **(Use wirenuts provided)** .
4. Connect the black wire (s) from the fixture to the black wire of the supply circuit. **(Use wirenuts provided)**.
5. Turn the green ground screw (F) into the hole one the mounting strap (B) and wrap the fixture ground wire (I) around screw one full turn and tighten screw. Connect remaining end of fixture ground wire to the supply ground wire (E). **(Use wirenuts provided)** .

CAUTION: Do not connect the fixture ground wire to black or white power supply wires in the outlet box.

6. Insert the Box Screws (P) to the Key Hole (H) in the Pan (O) to lock the Pan (O) to the Ceiling.

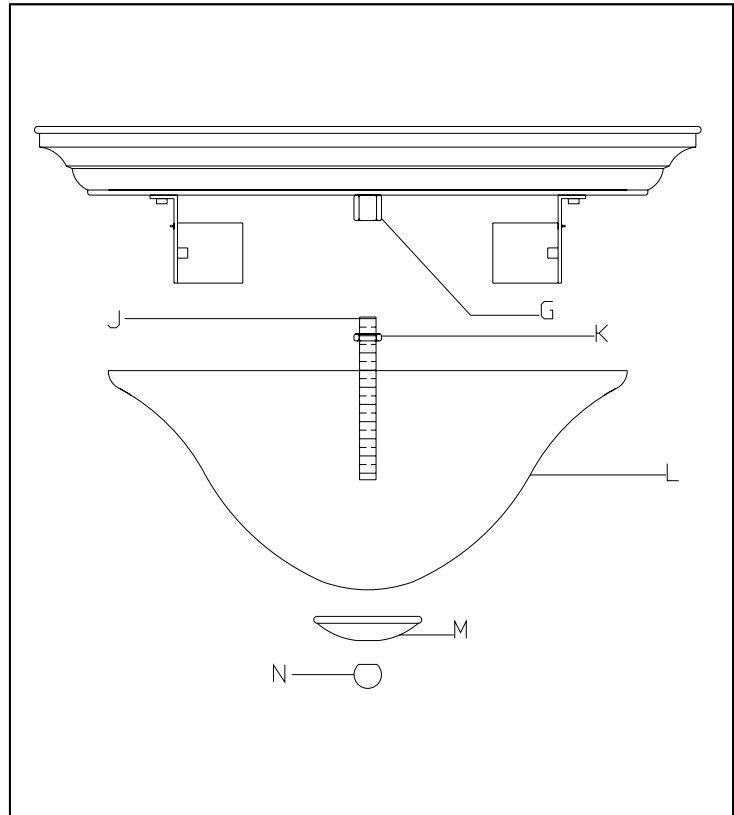
Assembly Instructions



This lamp uses two (2) 60-watt maximum Type A bulb (Not included).

Cleaning Instructions

Do not use polish or cleaners.
Wipe clean with a soft cloth.



1. Thread the Nipple (J) to Bottom Coupler (G) then screw the Hex Nut(K) until tight. (**Nipple may require adjustment**)
2. Thread another end of Nipple (J) with Glass (L).
3. Attached the cap (M) to the nipple (J) then secure with finial (N)
4. Install the light bulb (not provided) in accordance with the fixture specification.
5. Restore electricity and check the operation of your new light fixture.

33176