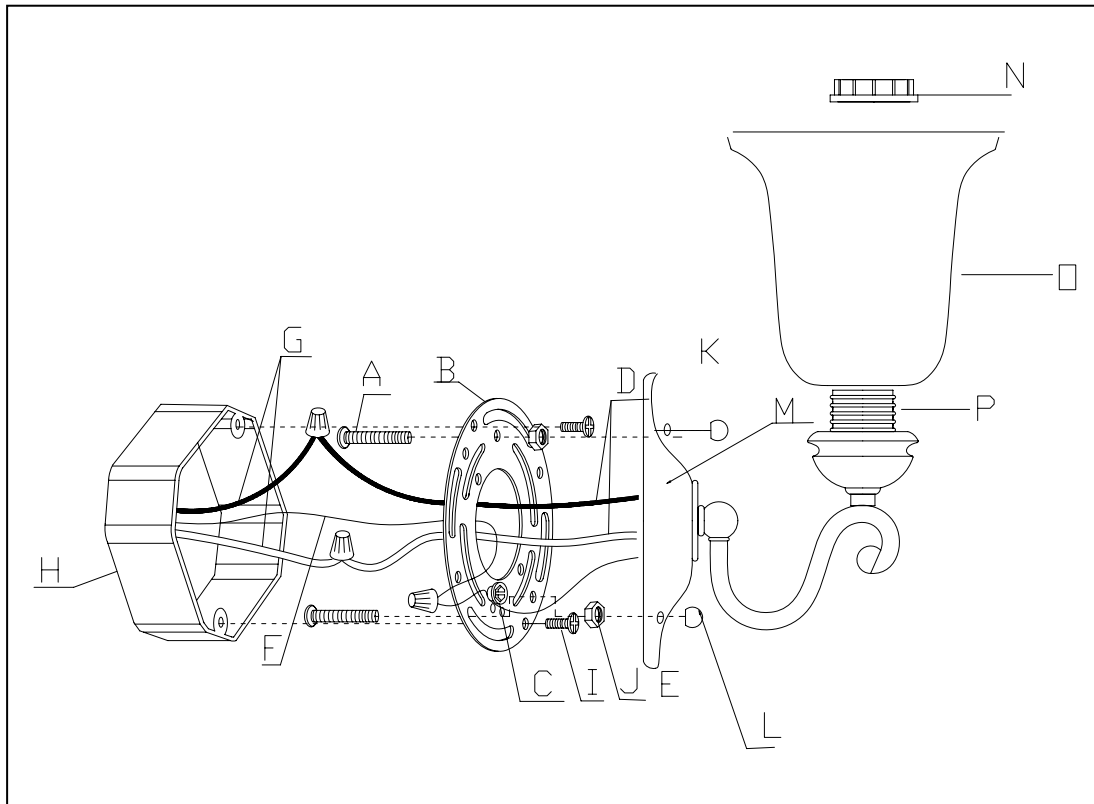
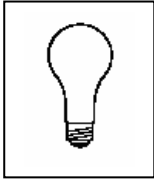


Installation Instructions



1. Disconnect power at main electrical panel before installation.
2. Thread the mounting Screws(A) into the opposite side of the mounting Plate(B) from the GREEN ground Screw(C).
3. Insert the fixture wire and the ground wire up through the center hole of Mounting Plate (B).
4. Split the end of power supply wire about 4 inches from the end. Being careful not to expose any of the wire inside of the insulation.
5. Connect the white or ribbed wire from the fixture to the white wire of the supply circuit. Connect the black or smooth wire(s) from the fixture to the black wire of the supply circuit. **(Use wirenuts provided)**
6. Connect the Fixture Ground Wire(E) to the Outlet Box Ground Wire(F) using wire Nut. Connect outlet box ground wire to mounting plate with GREEN hex-head ground screw to tapped hole in mounting plate marked "GND". **(Use wirenuts provided)**
7. Attach mounting Plate(B) to Outlet Box(H) using box Screws(I) provided with Outlet Box(H).
8. Thread Hex Nut (J) onto mounting Screws(A).
9. Mount fixture by aligning mounting Holes(K) in wall plate with mounting Screws(A) and threading Ball Nuts(L) onto mounting Screws(A). Tighten to firmly hold Wall Plate(M) in place against wall (mounting screws may require adjustment).

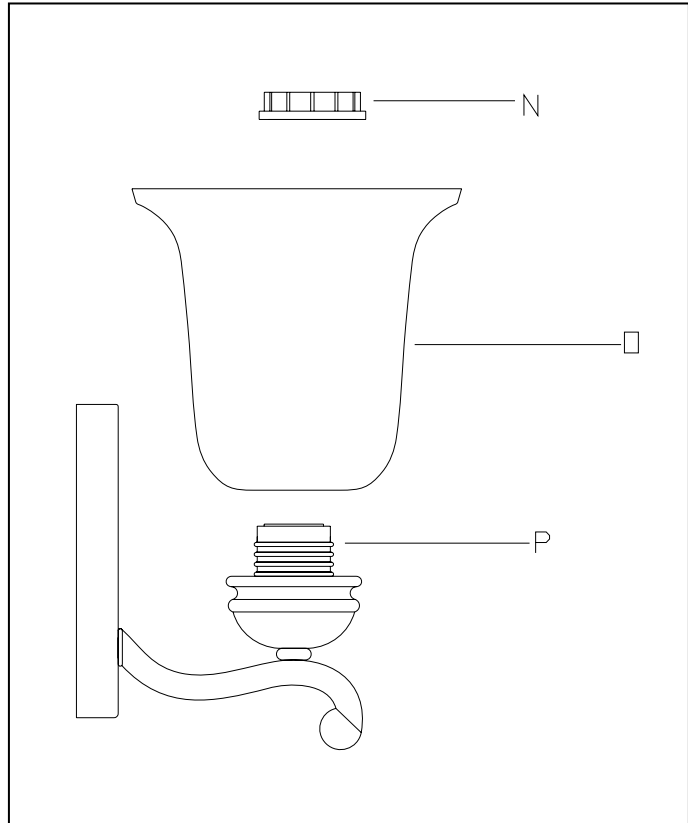
Assembly Instructions



This lamp uses One (1) 100-watt maximum Type A bulb (Not included).

Cleaning Instructions

Do not use polish or cleaners.
Wipe clean with a soft cloth.



1. Place Glass (O) over Socket (P) and secure by Socket Ring (N).
2. Install the light bulb(s) (not provided) in accordance with the fixture specification.
3. Restore electricity and check the operation of your new light fixture.

33170//1

