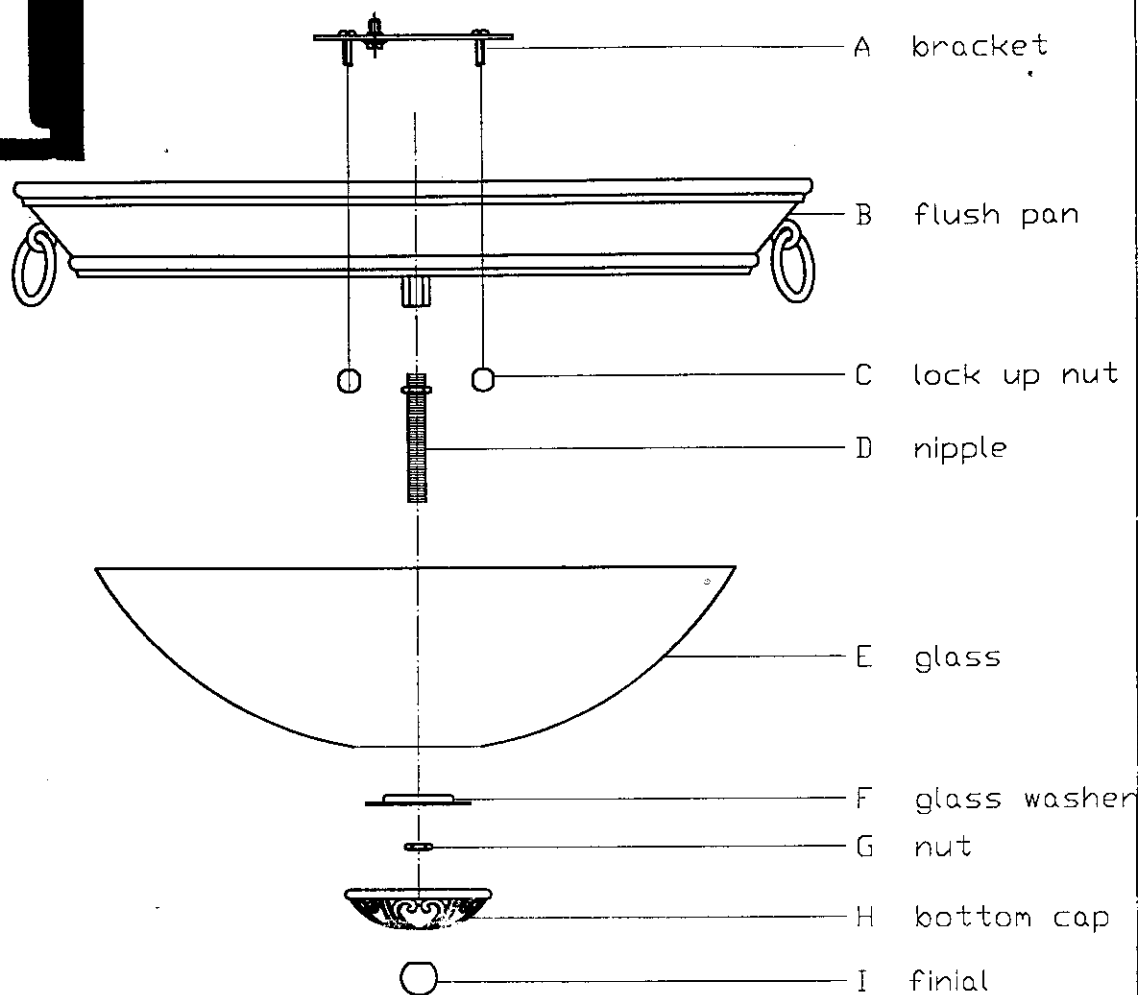




33126



Assembly instruction for 33126.

1 Connect electrical wires at Junction box and secure bracket(A).

2 Use lock up nut (C) to secure flush pan (B).

3 install light bulbs not provided .

4 Secure glass (E) with nipple (D),glass washer (F), nut (G),bottom cap (H) and finial (I) accordingly.

MOUNTING AND WIRING INSTRUCTIONS

1. Turn machine screws (provided) into mounting strap using the threaded holes in the mounting strap that align with the holes in the canopy.
2. Fasten mounting strap to junction box with machine screws found in junction box. The mounting strap must be used to provide proper grounding of fixture.
3. Pull leads down out of junction box for easier wiring. Connect the IDENTIFIED lead (white, tinned or ribbed - if both conductors are the same color, feel for the ribbed edge that runs the entire length of one side) to the WHITE house wire. Connect the UNIDENTIFIED lead to the BLACK house wire. Turn the green ground screw into the hole in the mounting strap and wrap the bare ground wire around screw one full turn and tighten screw. Connect remaining end of bare wire to the house ground wire (bare). If the junction box itself is metal and is already grounded, attachment to the green screw only is sufficient. Always use wire connectors that are UL approved for the size and number of wires to be connected.
Caution: Never connect the bare ground wire to the black or white house wires.

4. Place all wires and connectors back into junction box making sure there are no loose wire nuts or bare leads. Place canopy up against ceiling allowing the machine screws to protrude through the two canopy holes. Be careful not to pinch any wires between the canopy and the ceiling.
5. Turn ballnuts onto machine screws until canopy is firmly against ceiling.
6. Lamp fixture with proper size bulbs in accordance with the wattage label found on the fixture.

