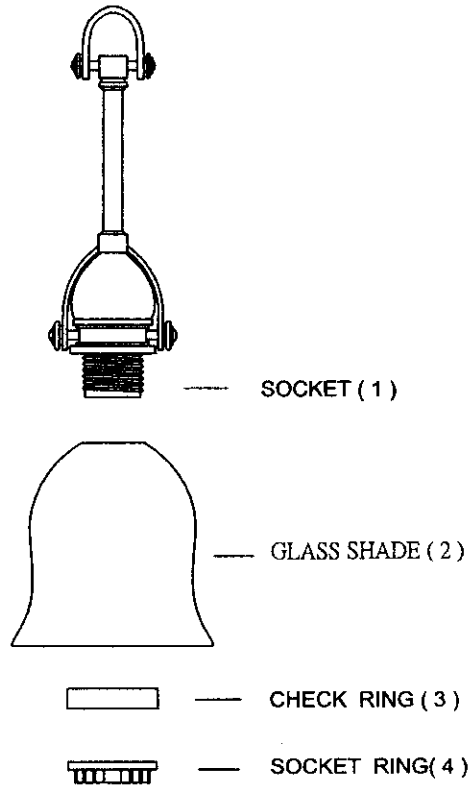




# Assembly Instructions

ITEM NO. : 32729



1. Carefully remove the fixture out of the carton, and check that all parts are included referring to the above illustration. Make sure not to misplace any parts that are needed for the installation ;
2. Install glass shade (2) , check ring (3) onto the socket (1) and secure them with socket ring (4)
3. Install the lamp on .