

INSTALLATION & CONNECTIONS

IMPORTANT :

- Use qualified electrician for proper assembly and installation!
- Please read all instructions prior to installation.
- Installation of this fixture must comply with local building codes.

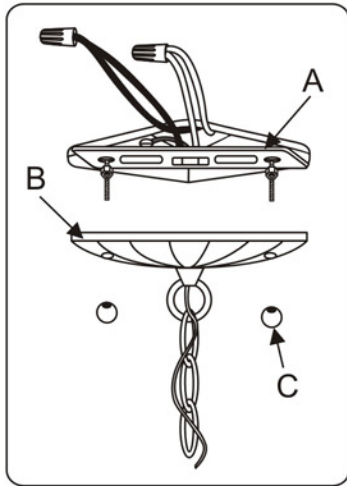
INSTRUCTIONS

1. Turn off power at main fuse box.
2. Mount crossbar (A) to junction box with 2 screws supplied.
Make sure black and white wires of junction box run through the middle opening of the crossbar.
3. Fasten ground wire to ground screw of junction box.
4. Connect black and white wires of power supply to black and white wires of the pendant.
NOTE: All wire connections should be made with wire nuts or marettes and pushed back into junction box.
5. Mount back plate or canopy (B) over the 2 screws of crossbar (A). Secure with 2 decorative knobs or caps (C).

BULB AND GLASS INSTALLATION

1. Un-screw the Socket Ring from socket.
Slip glass over socket and secure with Socket Ring by using **TOOL** provided.
2. Install Type B Bulb 40 Watts Recommended 60 Watts Max.

Bulb not included.



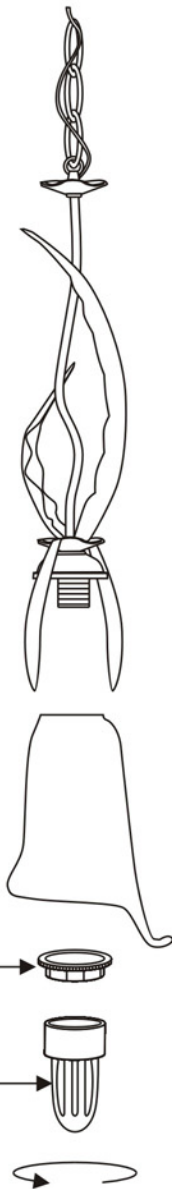
TYPE B



You will need 1 - Med. Bulb
40 Watts Recommended
60 Watts Max
Bulb not included.

SOCKET RING →

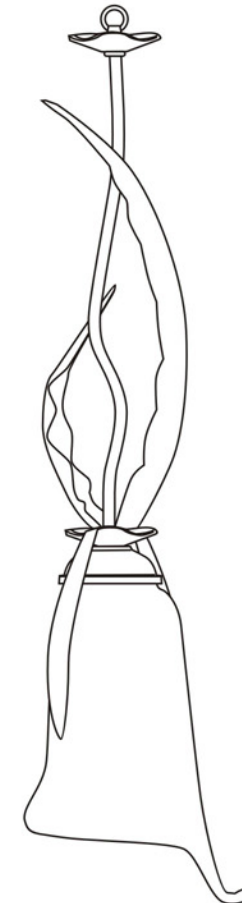
TOOL →



ITEM NUMBER:#32309 INSTRUCTIONS



All electrical components must be installed by a licensed electrician in accordance with the National Electric Code and the appropriate local electrical codes.



T1-32300-2007/12/18

