



ASSEMBLY AND MOUNTING INSTRUCTION

For 31903/31908

Please read the Assembly Instruction sheet carefully before proceeding. Carefully unpack and identify all parts prior to building the unit. Each part is identified on the drawing for reference.

DO NOT DISCARD THE ORIGINAL PACKAGING. If after careful inspection and you must return the item for any reason. Please repack the unit using the original carton and inserts.

STEP 1: Unpack all the parts and Classify them according to the illustration shown at the side. Place the parts on a scratch free surface;

STEP 2: Make sure the power is turned off at the junction box where the fixture is to be installed. Secure the cross bar to the ceiling junction box using junction box screws;

STEP 3: Use the wire nuts to connect the positive and negative wires. Connect the ground wire to the junction box ground port;

STEP 4: Secure the canopy to the ceiling with The knurled ring;

STEP 5: Buckle the Quick Link to the Loop;

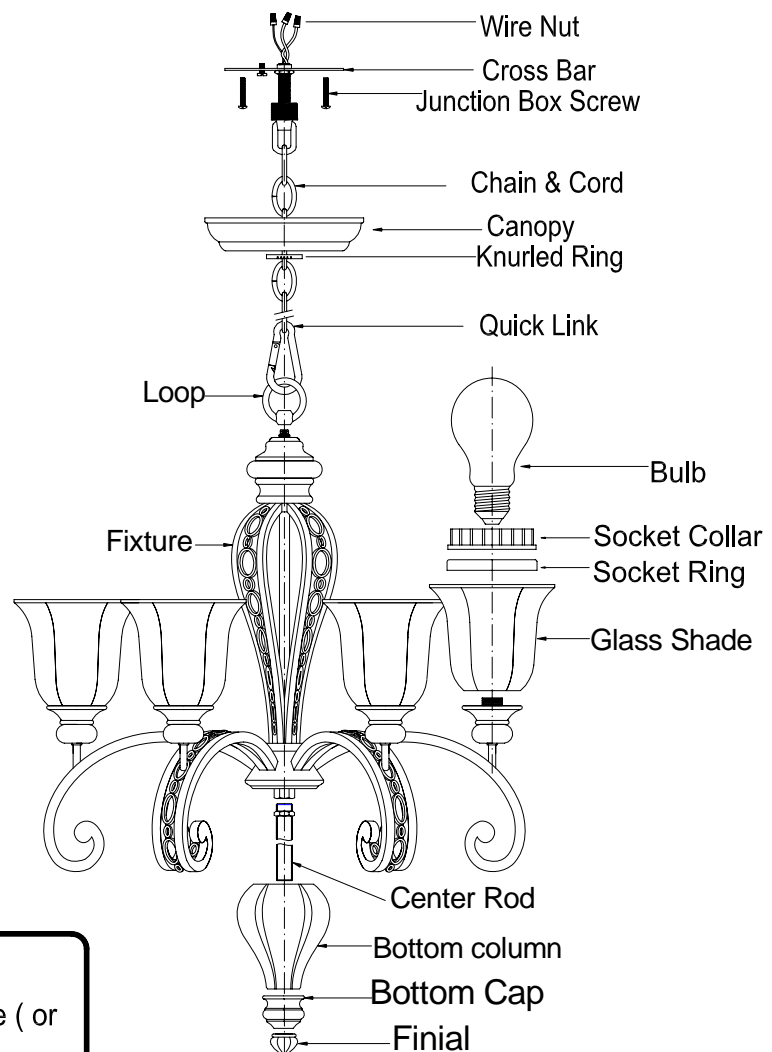
STEP 6: Install the Loop to the Fixture;

STEP 7: Install the center column to the fixture;

STEP 8: Attach the center rod bottom with Column the bottom cap and finial;

STEP 9: Install the glass shades and secure them with the socket rings and socket collars

STEP 10: Install the correct bulbs(not provided);



CAUTION:

To reduce the risk of fire, use the specified lamp wattage (or smaller) and bulb type identified on the product.

CLEANING INSTRUCTIONS:

Do not use polish or cleaners on your product. Just wipe clean with a soft cloth.

CAUTION----RISK OF FIRE

This product requires installation by a qualified electrician. Before installing be sure to read all instructions and **TURN THE POWER TO THE ELECTRICAL JUNCTION BOX OFF.**