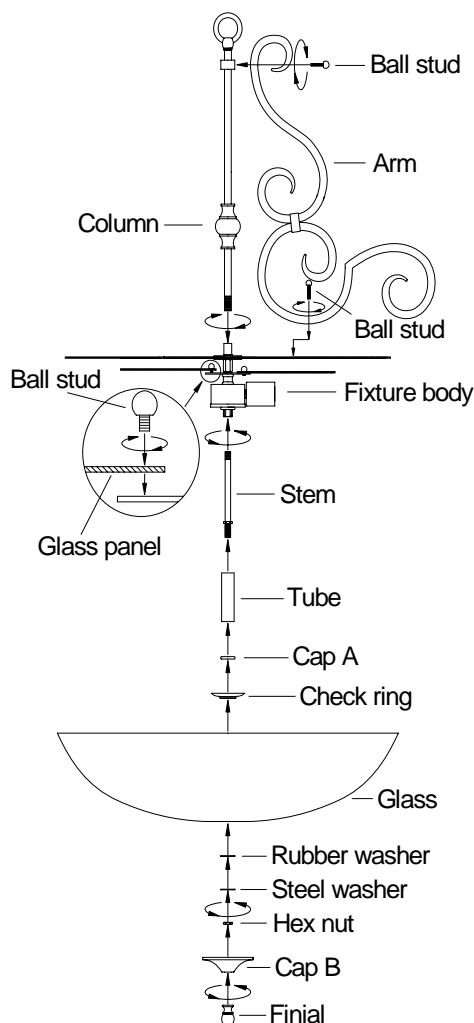




## ASSEMBLY INSTRUCTIONS FOR 31742-26



1. Before beginning the assembly, carefully unpack and identify all parts referring to the illustration.
2. Unravel the supply power and ground wires and pass the holes of fixture loop. Thread the fixture loop onto the coupling at the top of fixture body. Hand tightens until snug.
3. Thread the top of stem with the hex nut into the coupling at the underside of fixture body. Hand tightens until snug.
4. Locate the arm. Attach the arm to the fixture body and the column with ball nuts as shown in the illustration.
5. Carefully place the glass panel onto the fixture body and secure with ball stud as shown in the illustration.
6. Install proper bulbs (not provided) to the sockets referring to the markings and labels on fixture for maximum wattage.
7. Locate the tube, cap A, check ring, glass, rubber washer and steel washer. Carefully pass the center holes of tube, cap, glass, rubber washer and steel washer through the stem and secure with hex nut.
8. Install cap B through the protruding stem and secure with finial.
9. Restore power to the installation point ON. Retain this sheet for future reference.