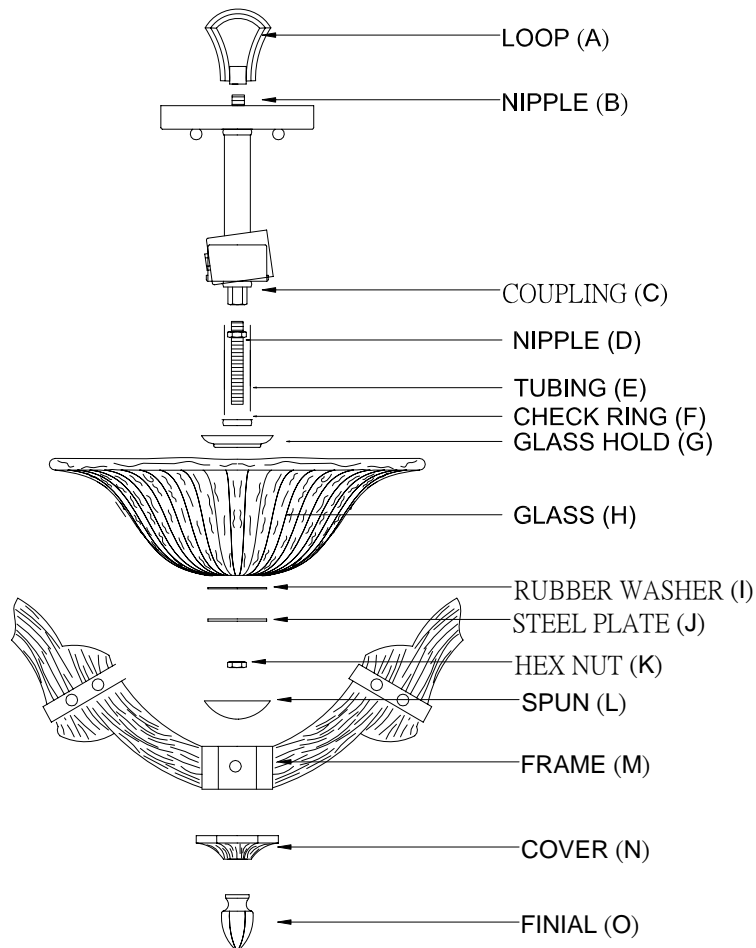




Assembly Instructions

ITEM NO.: 31621 FOR PENDANT



1. Thread the LOOP (A) onto the NIPPLE (B). Until tighten!
2. Thread the NIPPLE (D) onto the COUPLING (C). Secured by the hex nut.
3. Place the TUBING (E) CHECK RING (F) GLASS HOLD (G) & GLASS HOLD (G) & GLASS (H) onto the distribute! Then secured the glass by the RUBBER WASHER (I) STEEL PLATE (J) & HEX NUT (K).
4. Place the SPUN (L) FRAME (M) onto the glass.
5. Place the COVER (N) onto the FRAME (M). Then secured by the FINIAL (O).
6. Measure the height from hanging fixture to your ceiling. Cut the excess chain and wire to fit the height.
7. Follow the wattage label on the socket cover and install correct wattage and type bulb (no provide) onto the socket.
8. For mounting and wiring step please follow the mounting instruction sheet enclosed.