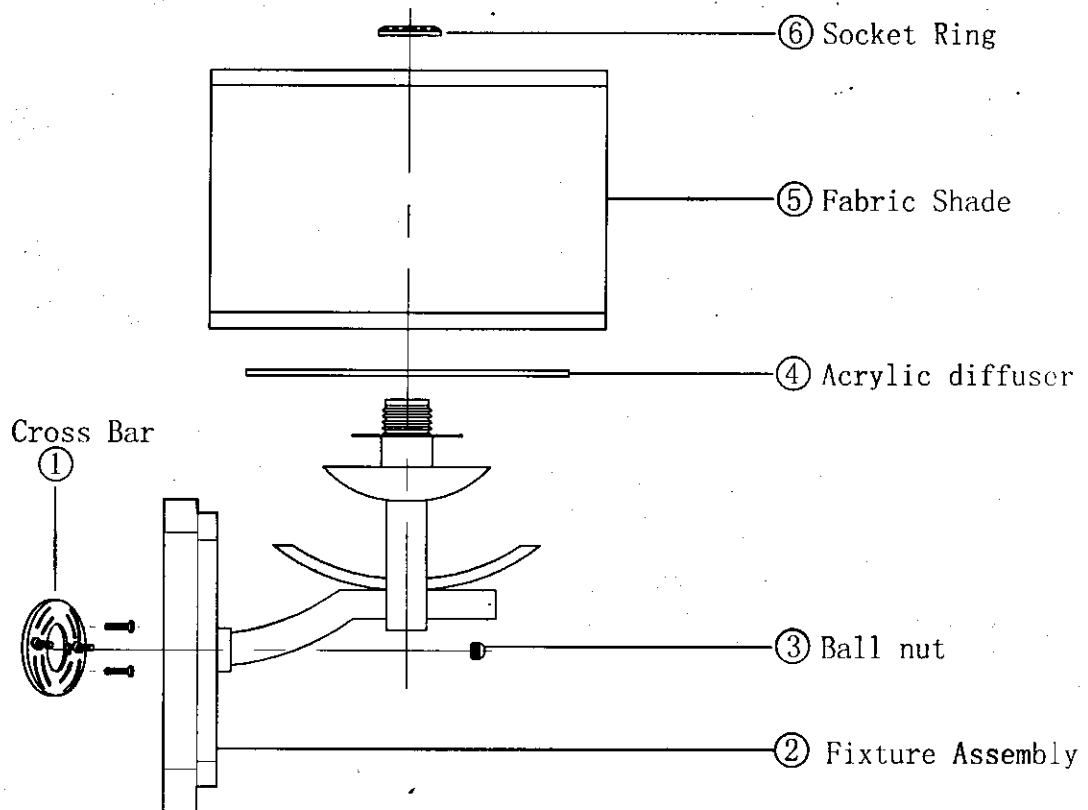




Assembly Instruction For 31470/1



Assembly instruction for 31470/1

- 1 Secure the cross bar(1)to the junction box using the supplied junction box screw.
- 2 Connect the electrical wires at the junction box(make sure power is turned off)
- 3 Attach the fixture assembly(2)to cross bar(1)using the ball nut(3)
- 4 Put the acrylic diffuser(4) on the fixture assembly(2)
- 5 Secure fabric shade(5)with socket ring(6)
- 6 Install light bulbs(not provided)