

ASSEMBLY & INSTALLATION INSTRUCTIONS

MODEL 29630-1WL, 29630-2WL

CAUTION : READ INSTRUCTIONS CAREFULLY AND TURN ELECTRICITY OFF AT MAIN CIRCUIT BREAKER PANEL BEFORE BEGINNING INSTALLATION.

WARNING : IF ANY SPECIAL CONTROL DEVICES ARE USED WITH THIS FIXTURE, FOLLOW THE INSTRUCTIONS CAREFULLY TO ASSURE FULL COMPLIANCE WITH N.E.C. REQUIREMENTS. IF THERE ANY QUESTIONS, CONTACT A QUALIFIED ELECTRICAL CONTRACTOR.

1. Please refer to the installation and wiring instruction provided for wire connection.
2. Slide the Wall Canopy over the Mounting Screws and secure the Lamp in place with Lock Nuts provided (Do Not Over Tighten);
3. Slide the open end of Cable onto the hole on top of the arm and tighten with Hex Screw and Driver provided until it gets straight (Do Not Over Tighten);
4. Place the Glass Shade onto the Fitter until it sits properly then secure in place with Socket Ring (Do Not Over Tighten);
5. Install Type A Bulb (Not Furnished). Do Not Exceed MAX. WATTAGE as indicated.

CLEANING : Use only soft cloth to dust and clean fixture.

Never use chemicals or abrasive cleaners as it may damage finish.

Wall Mount Fixture Installation and Wiring Instructions

NOTE: ALWAYS TURN POWER OFF BEFORE INSTALLING LIGHTING FIXTURES!

Installation (see Fig. A)

1. Disconnect power at main electrical panel before installation.
2. Thread the mounting screws into the opposite side of the mounting plate from the GREEN ground screw,
3. Guide fixture wires through hole in center of mounting plate
4. Follow wiring instructions carefully (listed below).
5. Attach mounting plate to outlet box using box screws provided with outlet box.
6. Mount fixture by aligning mounting holes in canopy with mounting screws and threading ball nuts onto mounting screws, tighten to firmly hold canopy in place against ceiling (mounting screws may require adjustment).

Wiring (see Fig. B)

1. Split the conductors of the fixture wire about 4 inches. Being careful not to expose any of the wire inside of the insulation.
2. Connect the fixture ground wire to the outlet box ground wire using wirenut (not provided). Connect outlet box ground wire to mounting plate with GREEN hex-head ground screw to tapped hole in mounting plate marked "GND".
3. Connect the half of the fixture wire that is white, marked, or has a ribbed surface to the outlet box supply wire (WHITE). Connect the other half of the fixture wire that is black, unmarked, or has a smooth surface to the outlet box supply wire (BLACK or RED). Use wirenuts provided.
4. Spread the electrical splices so that the black wires are on one side of the outlet box and the white wires are on the other side.

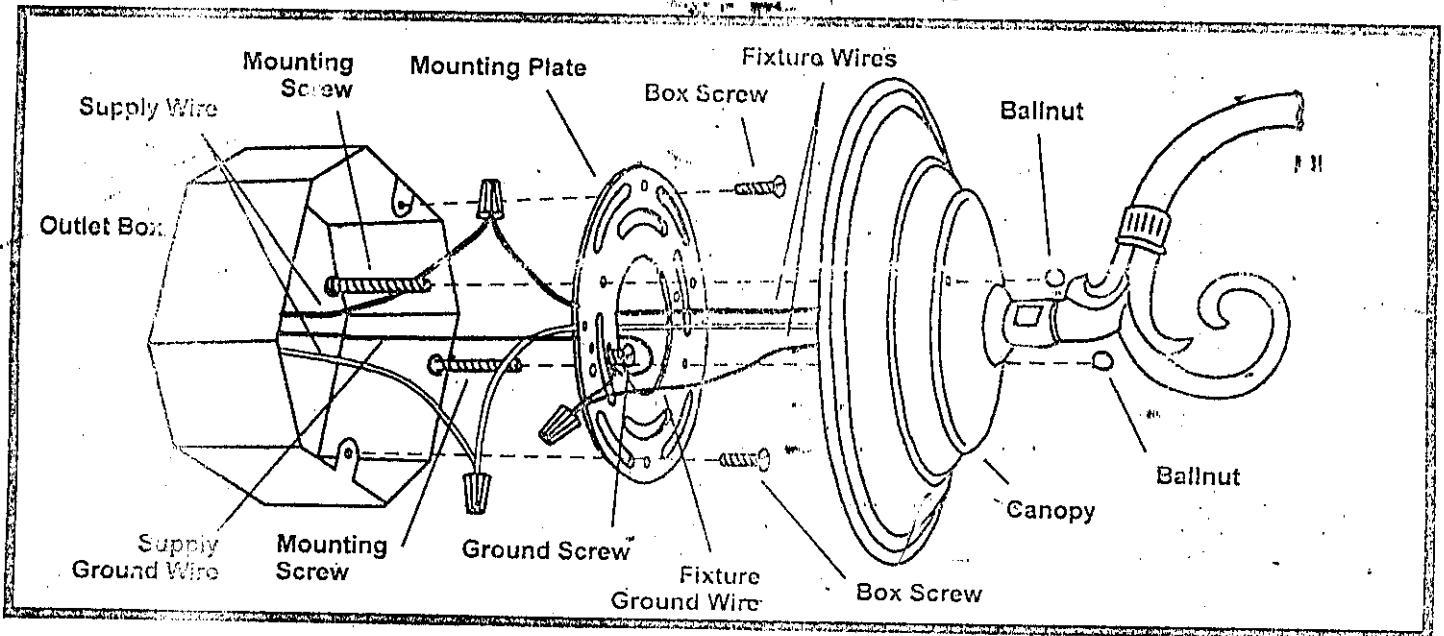


Fig. A

Connect Black or Red House Wire to:	Connect White House Wire to:
Black	White
Parallel cord - SPT I & II (round & smooth)	Parallel cord - SPT I & II (square & ridged)
Clear, Brown, Gold or Black (without tracer)	Clear, Brown, Gold or Black (with tracer)
Insulated Wire (Other than GREEN) with copper conductor	Insulated Wire (Other than GREEN) with silver conductor

Fig. B