



ASSEMBLY & INSTALLATION INSTRUCTIONS

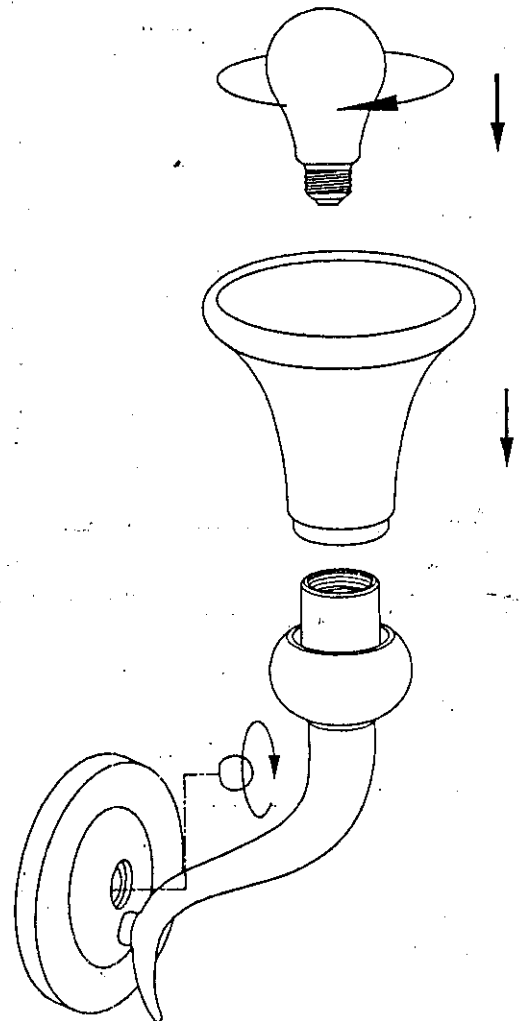
CAUTION : READ INSTRUCTIONS CAREFULLY AND TURN ELECTRICITY OFF AT MAIN CIRCUIT BREAKER PANEL BEFORE BEGINNING INSTALLATION

WARNING : IF ANY SPECIAL CONTROL DEVICES ARE USED WITH THIS FIXTURE, FOLLOW THE INSTRUCTIONS CAREFULLY TO ASSURE FULL COMPLIANCE WITH N.E.C. REQUIREMENTS. IF THERE ARE ANY QUESTIONS, CONTACT A QUALIFIED ELECTRICAL CONTRACTOR.

1. Please refer to the **Installation and Wiring Instruction** provided for wire connection.
2. Slide the **Wall Canopy** over the **Threaded Nipple** and secure the **Lamp** by screwing on the **Knob Nut**. **DO NOT OVER-TIGHTEN**
3. Place the **Glass Shade** onto the **Fitter** until it sits properly.
4. Install **Type A Bulb** (Not Furnished). **DO NOT EXCEED THE MAX. WATTAGE AS INDICATED.**

CLEANING : Use only soft cloth to dust and clean fixture. Never use chemicals or abrasive cleaners as it may damage finish.

MODEL NO.29620





Wall Mount Fixture Installation and Wiring Instructions

NOTE: ALWAYS TURN POWER OFF BEFORE INSTALLING LIGHTING FIXTURES!

Installation (see Fig. A)

1. Disconnect power at main electrical panel before installation.
2. Attach mounting strap to outlet box using box screws provided with outlet box.
3. Screw threaded nipple into mounting strap approximately 1/2 inch.
4. Follow wiring instructions carefully (listed below).
5. Position wall plate, allowing the threaded pipe to pass through the hole in the wall plate. Secure wall plate by threading the finial onto the exposed threads of the threaded nipple.

Wiring (see Fig. B)

1. Split the conductors of the fixture wire about 4 inches. Being careful not to expose any of the wire inside of the insulation.
2. Connect the fixture ground wire to the outlet box ground wire using wirenut (not provided). Connect outlet box ground wire to mounting strap with GREEN hex-head ground screw to tapped hole in mounting strap marked "GND".
3. Connect the half of the fixture wire that is white, marked, or has a ribbed surface to the outlet box supply wire (WHITE). Connect the other half of the fixture wire that is black, unmarked, or has a smooth surface to the outlet box supply wire (BLACK or RED). Use wirenuts provided.
4. Spread the electrical splices so that the black wires are on one side of the outlet box and the white wires are on the other side.

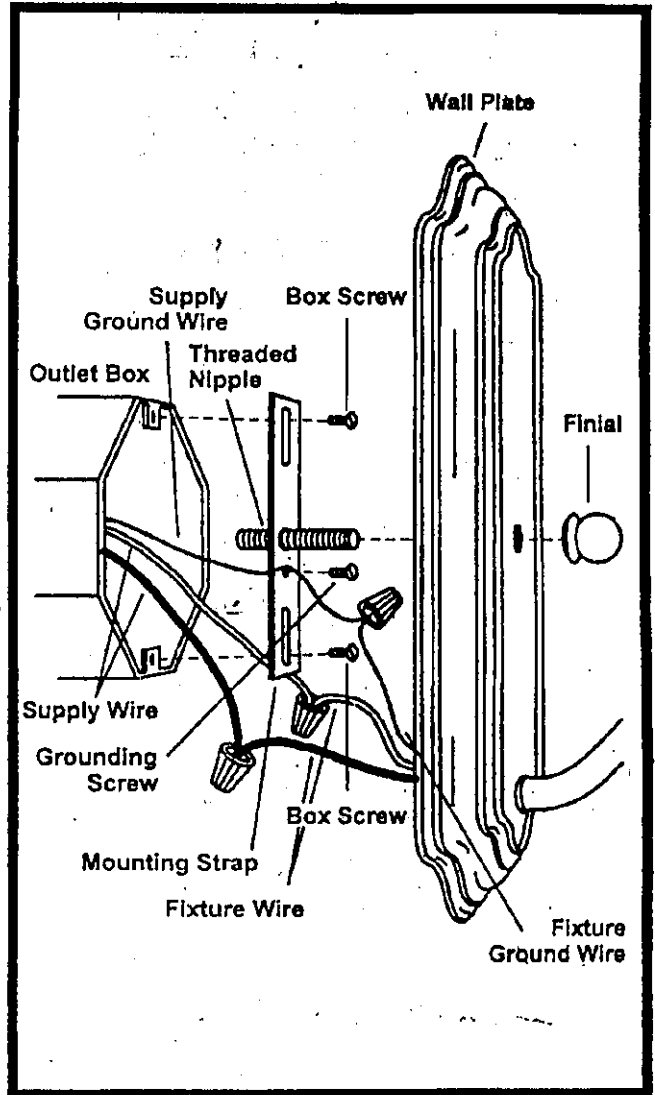


Fig. A

Grounding Detail

Connect Black or Red House Wire to:	Connect White House Wire to:
Black	White
Parallel cord - SPT I & II (round & smooth)	Parallel cord - SPT I & II (square & ridged)
Clear, Brown, Gold or Black (without tracer)	Clear, Brown, Gold or Black (with tracer)
Insulated Wire (Other than GREEN) with copper conductor	Insulated Wire (Other than GREEN) with silver conductor

White, Marked, or Ribbed Fixture Wire
White Supply Wire

Black, Unmarked, or Smooth Fixture Wire
Black or Red Supply Wire

Fig. B