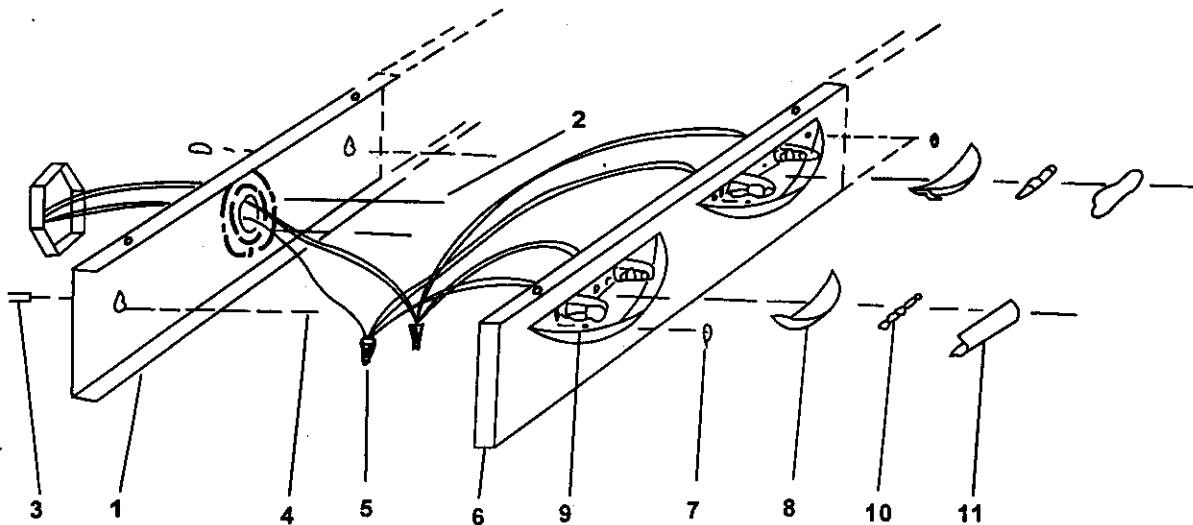


HALOGEN BATH COLLECTION



DRESSING INSTRUCTION FOR MODEL # 25651, 25652, 25653, & 25654

NOTE: TURN OFF THE POWER OF OUTLET BOX AT BREAKER, FUSE, ON MAIN SWITCH IF YOU ARE REPLACING AN EXISTING FIXTURE, DISCONNECT AND REMOVE THE OLD FIXTURE, EXPOSE THE SUPPLY WIRING FROM THE OUTLET BOX...

FIRST SECURE THE WALL BRACKET (1) TO THE JUNCTION BOX WITH TWO LONG WALL SCREWS (2) PROVIDED. FOR ADDITIONAL STABILITY ON THE FIXTURE, INSTALL PLASTIC WALL ANCHORS (3) WITH THE WALL SCREWS (4) PROVIDED.

FASTEN BARE OR GREEN GROUND WIRE FROM JUNCTION BOX AND FIXTURE GROUND WIRE TO THE CROSSBAR WITH GREEN GROUND SCREW. USE THE WIRE CONNECTORS (5) TO CONNECT WHITE FIXTURE WIRE TO WHITE SUPPLY WIRE AND BLACK FIXTURE WIRE TO BLACK SUPPLY WIRE.

TUCK CAREFULLY ALL WIRES INTO THE JUNCTION BOX. SLIP THE DECORATIVE WALL PLATE (6) OVER THREADED NIPPLE AND SECURE IN PLACE WITH DECORATIVE NUTS (7)

CAREFULLY INSTALL THE FROST GLASS (8) UNDERNEATH THE METAL CLIP (9) ON THE SCONCE AS SHOWN

HALOGEN BASE BULBS (10) ARE RECOMMENDED. DO NOT EXCEED RECOMMENDED WATTAGE AS INDICATED ON THE WARNING LABEL. PLEASE DO NOT HANDLE HALOGEN BULB WITH BARE HANDS. INSTALL PROTECTIVE GLASS COVER (11) AS SHOWN UPON INSTALLATION OF THE HALOGEN BULB.