

# VANITY INSTALLATION INSTRUCTIONS

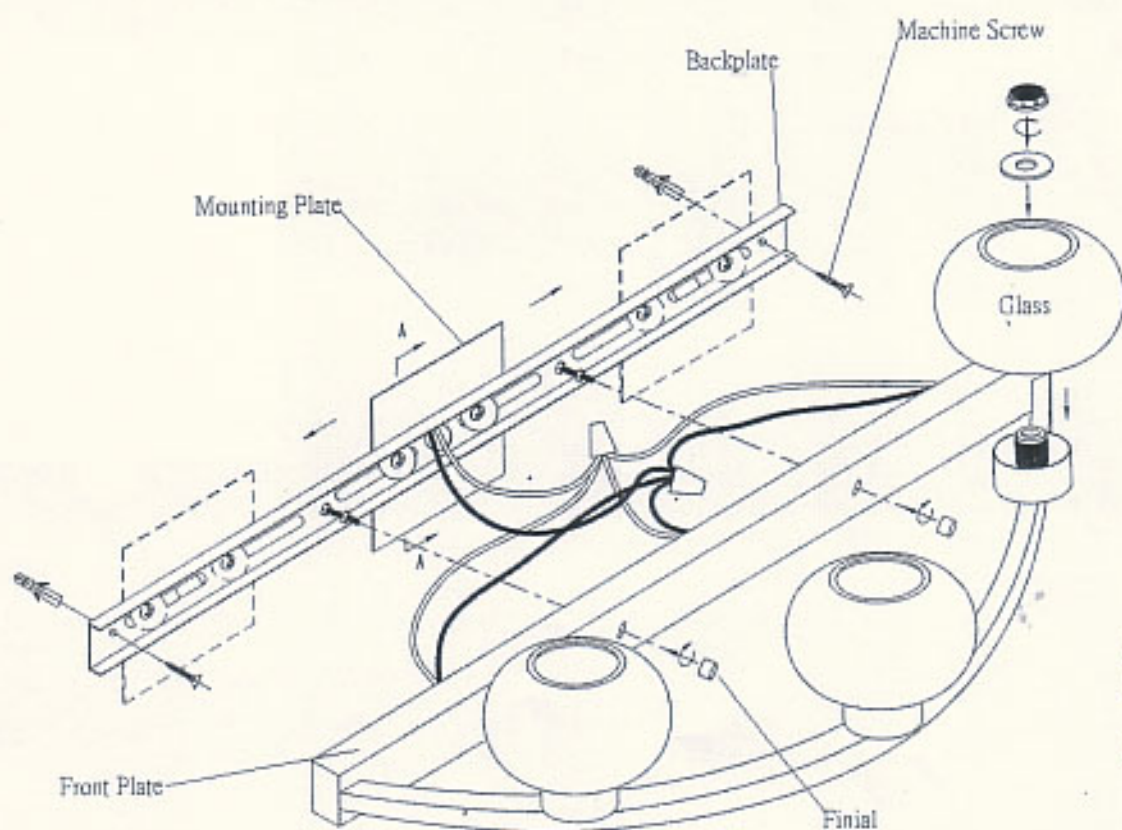
READ AND SAVE THESE INSTRUCTIONS

CAUTION: BEFORE ASSEMBLING YOUR LIGHTING FIXTURE, REFER TO THE SECTION TITLED ELECTRICAL CONNECTIONS. IF YOU FEEL THAT YOU DO NOT HAVE ELECTRICAL WIRING EXPERIENCE, REFER TO A DO IT YOURSELF WIRING HANDBOOK OR HAVE YOUR FIXTURE INSTALLED BY A QUALIFIED LICENSED ELECTRICIAN.

## ASSEMBLE THE FIXTURE (NOTE: FIRST TURN OFF ELECTRICITY)

REFER TO FIGURES FOR ILLUSTRATION OF TYPICAL FIXTURE PARTS AND ASSEMBLIES.

1. IF YOU ARE REPLACING AN EXISTING FIXTURE, DISCONNECT AND REMOVE THE OLD FIXTURE. EXPOSE THE WIRING IN THE OUTLET BOX.
2. INSTALL THE BACKPLATE TO THE WALL WITH THE (2) MACHINE SCREW. AN ADJUSTABLE MOUNTING PLATE IS FEATURED ON THIS FIXTURE FOR EASY INSTALLATION ON THE OUTLET BOX IN ANY POSITION.
3. CONNECT THE WHITE FIXTURE WIRE TO THE WHITE SUPPLY WIRE USING A WIRE CONNECTOR. CONNECT THE BLACK FIXTURE WIRE TO THE BLACK SUPPLY WIRE IN THE SAME MANNER. CONNECT THE SUPPLY GROUND WIRE ONTO THE CROSS BAR USING THE GREEN SCREW.
4. RAISE THE FIXTURE ONTO THE BACKPLATE SO THAT THE SCREWS COMES THROUGH THE MOUNTING HOLE. SECURE THE FIXTURE WITH THE FINIAL.
5. INSTALL THE GLASS AS DIAGRAM AND INSTALL THE LIGHT BULB.



23111  
23112  
23113